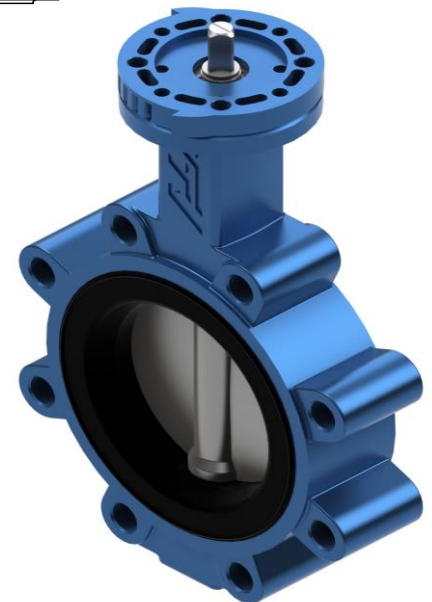
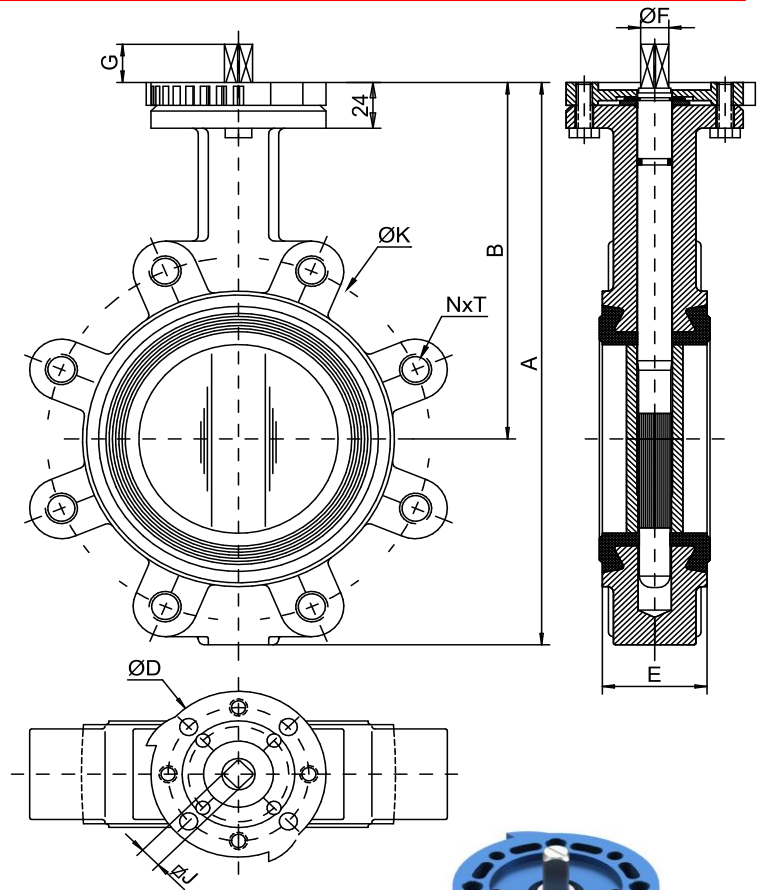


Body	Ductile Iron EN 1563 - GJS500-7
Shaft	Stainless Steel ASTM A182 F304
Disc	Stainless Steel ASTM A351 CF 8M
Seat	EPDM
Temperature	-20°C up to +110°C
Tolerances	ISO 2768-M
Face to Face	EN 558 Series 20 ISO 5752 Series 20 API 609 Table 1 BS 5155 Series 4
Pressure test according to:	EN 12266-1, ISO 5208: Body: 1.5xPN Seat: 1.1xPN
Mounting between flanges	PN10/16 ISO 7005, DIN 2501, EN 1092-1 ANSI class 150: ANSI B16.5
Tightness test	ISO 5208, zero leakage API 598



(Note) dimensions and standards may vary without announcement. Colours are orientative.

DN		A	B	D	E	F	G	J	PN10		PN16		ANSI150		ISO 5752 Connection	Weight Kg
mm	inch								K	N°xT1	K	N°xT1	K	N°xT1		
32	1¼"	205	140	88	33	9.5	14	8	100	4xM16	100	4xM16	88.9	4x1/2"	F5/F7	3
40	1½"	205	140	88	33	9.5	14	8	110	4xM16	110	4xM16	98.5	4x1/2"	F5/F7	3
50	2"	228	156	88	43	9.5	14	8	125	4xM16	125	4xM16	120.6	4x5/8"	F5/F7	3.5
65	2½"	248	161	88	46	12	16	9	145	4xM16	145	4xM16	139.7	4x5/8"	F5/F7	4.5
80	3"	265	169	88	46	14	16	11	160	8xM16	160	8xM16	152.4	4x5/8"	F5/F7	6.5
100	4"	298	187	88	52	14	20	11	180	8xM16	180	8xM16	190.5	8x5/8"	F5/F7	8
125	5"	331	206	105	56	17	20	14	210	8xM16	210	8xM16	215.9	8x3/4"	F7	11
150	6"	349	215	105	56	17	20	14	240	8xM20	240	8xM20	241.3	8x3/4"	F7	12
200	8"	430	255	105	60	21	24	17	295	8xM20	295	12xM20	298.5	8x3/4"	F7	18.5

